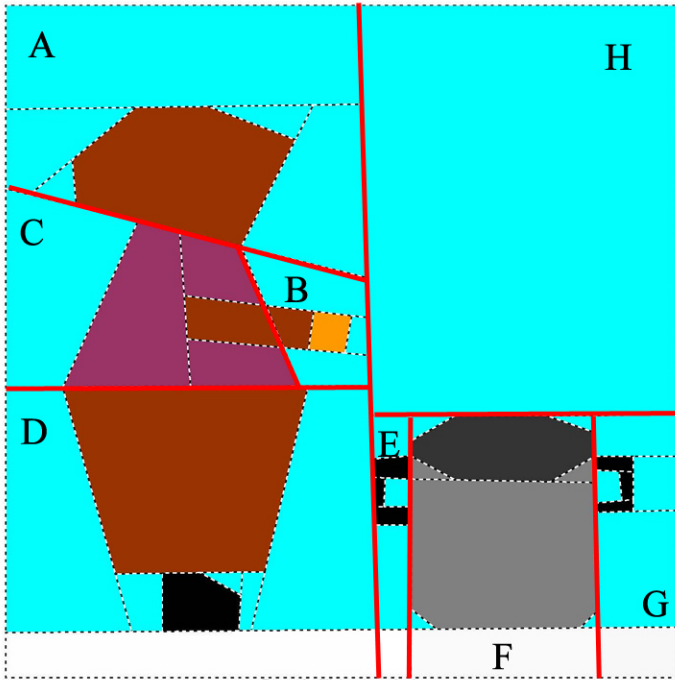


# POTTASKEFILL

## POT SCRAPER



### SEWING ORDER

B>C  
A>BC  
ABC>D  
E>F  
EF>G  
EFG>H  
ABCD>EFGH

POT SCRAPER, THE FIFTH ONE,  
WAS A FUNNY SORT OF CHAP.  
WHEN KIDS WERE GIVEN SCRAPINGS,  
HE'D COME TO THE DOOR AND TAP.

AND THEY WOULD RUSH TO SEE  
IF THERE REALLY WAS A GUEST.  
THEN HE HURRIED TO THE POT  
AND HAD A SCRAPINGFEST.

SÁ FIMMTI POTTASKEFILL,  
VAR SKRÍTIÐ KULDASTRÁ.  
-ÞEGAR BÖRNIN FENGU SKÓFIR  
HANN BARÐI DYRNAR Á.

ÞAU RUKU'UPP, TIL AÐ GÁ AÐ  
HVORT GESTUR VÆRI Á FERÐ.  
ÞÁ FLÝTTI' ANN SÉR AÐ POTTINUM  
OG FÉKK SÉR GÓÐAN VERÐ.

