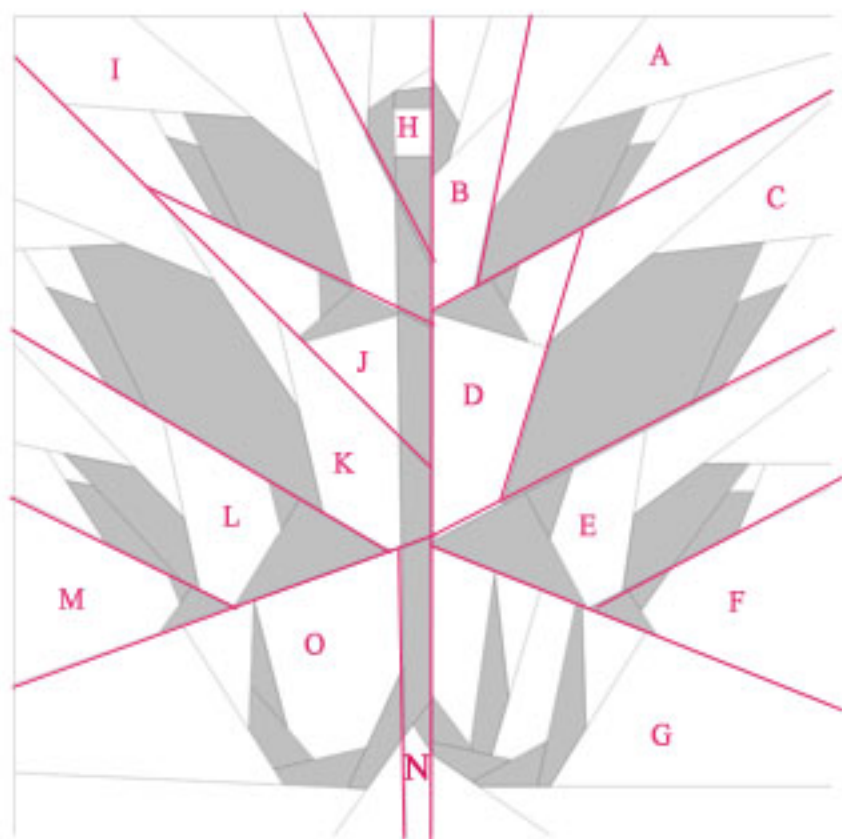


DISTRICT 4

Fising



Sewing Order

A>B

C>D

E>F

AB>CD>EF>G

H>I>J

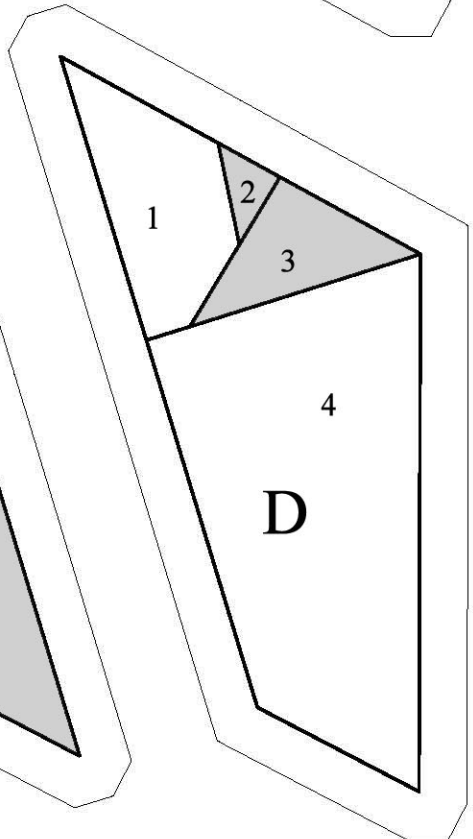
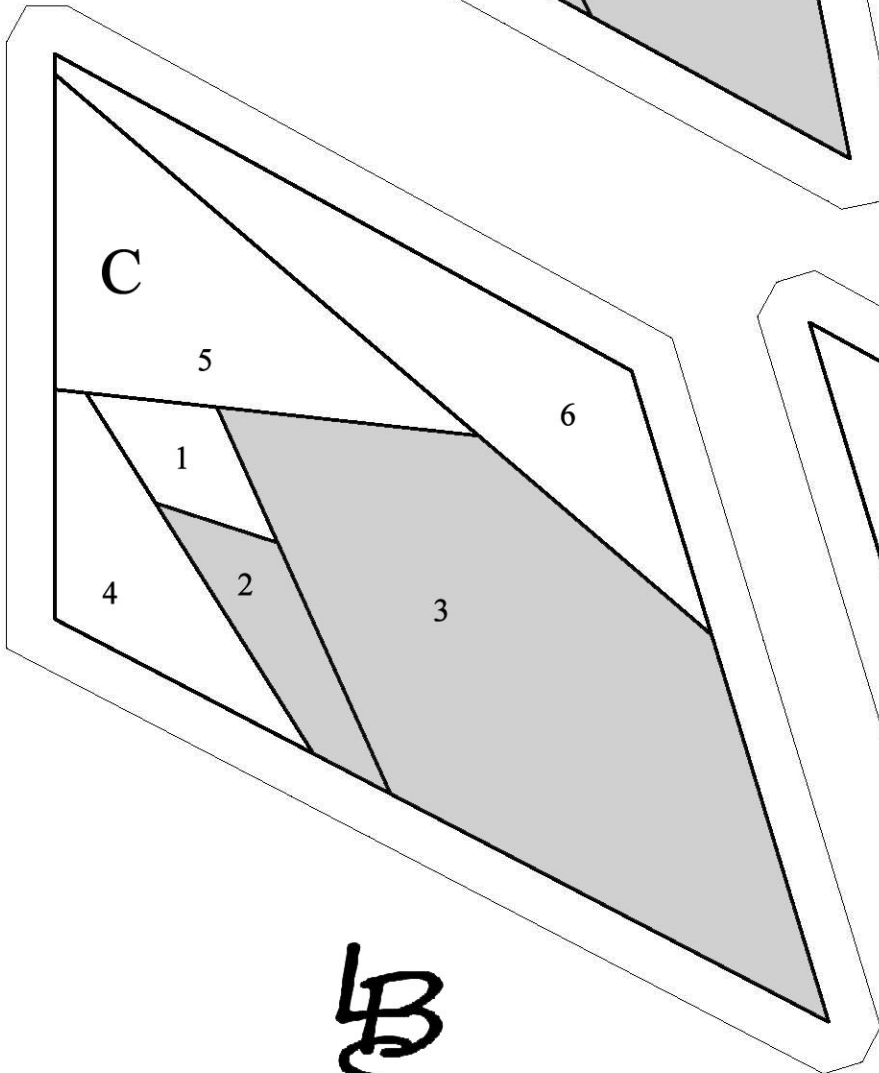
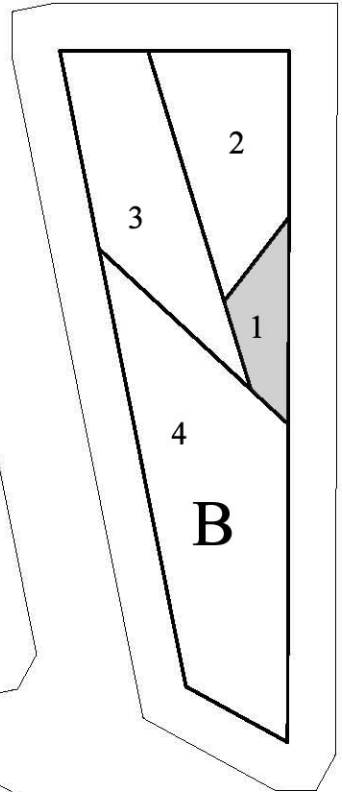
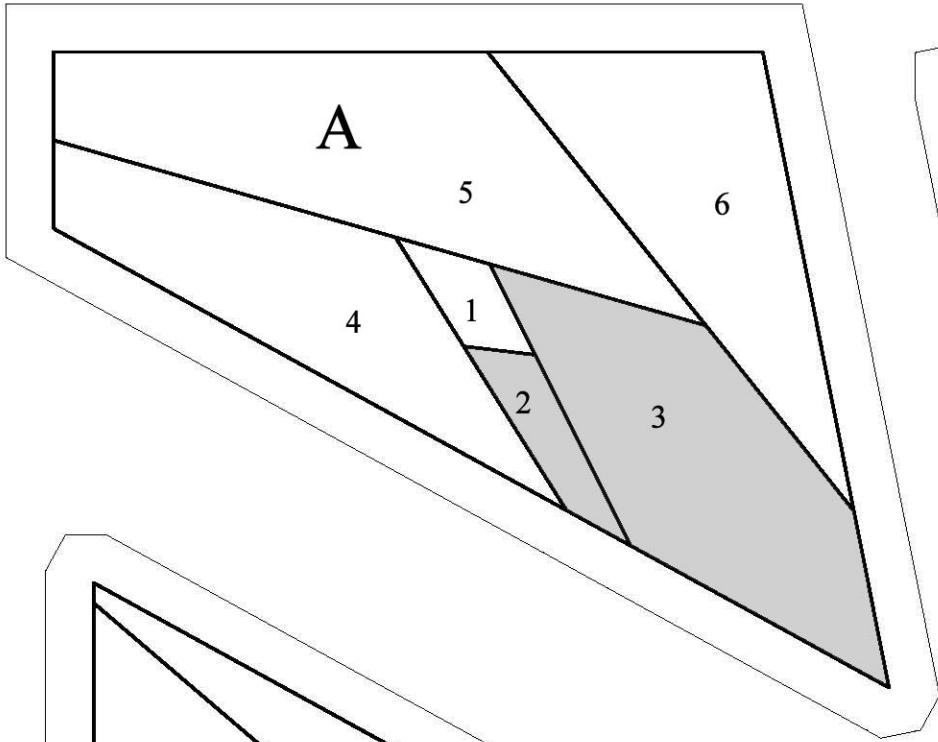
K>L>M

N>O

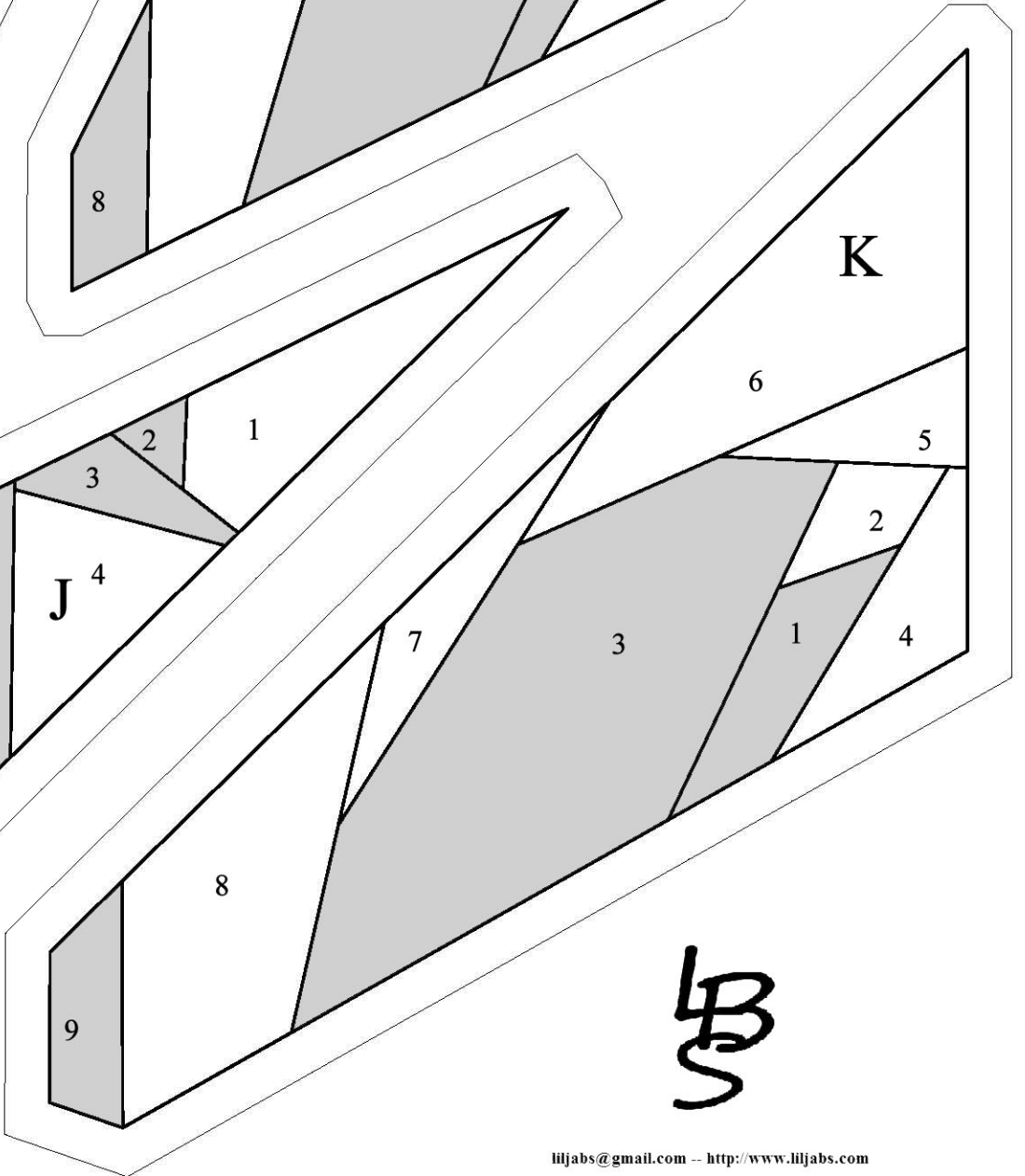
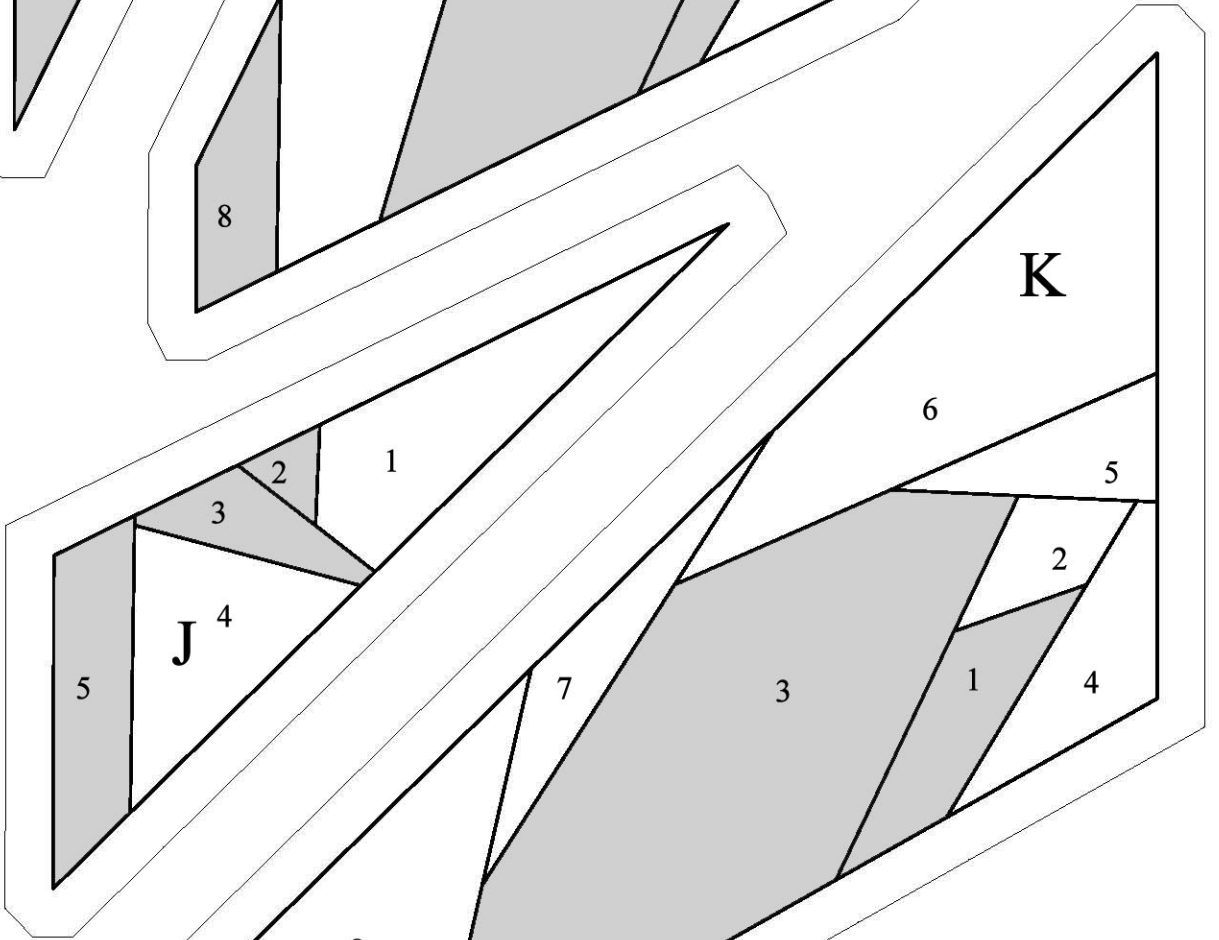
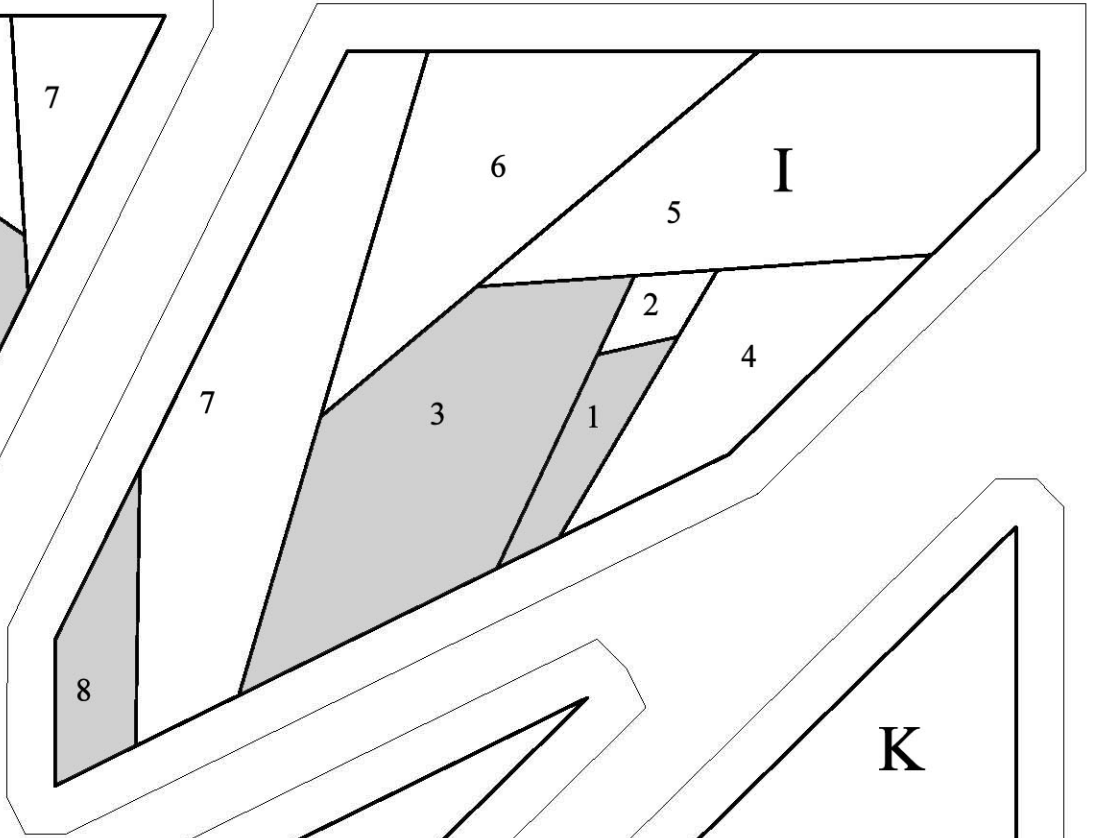
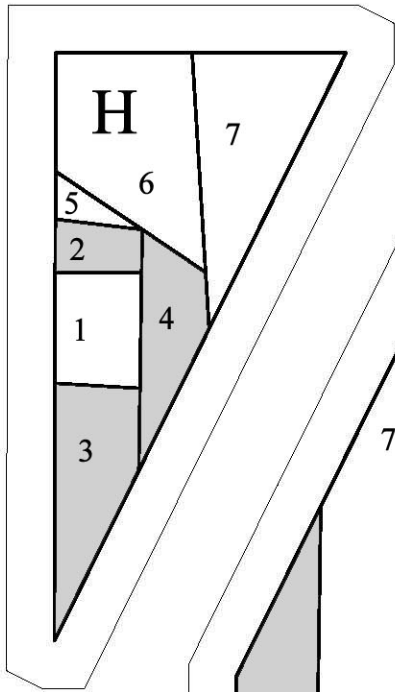
HIJ>KLM>NO

ABCDEFG>HIJKLMN

liljabs@gmail.com -- <http://liljabs.com>



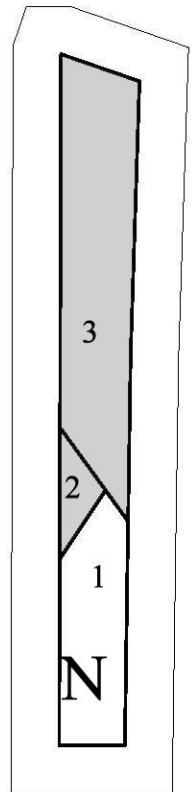
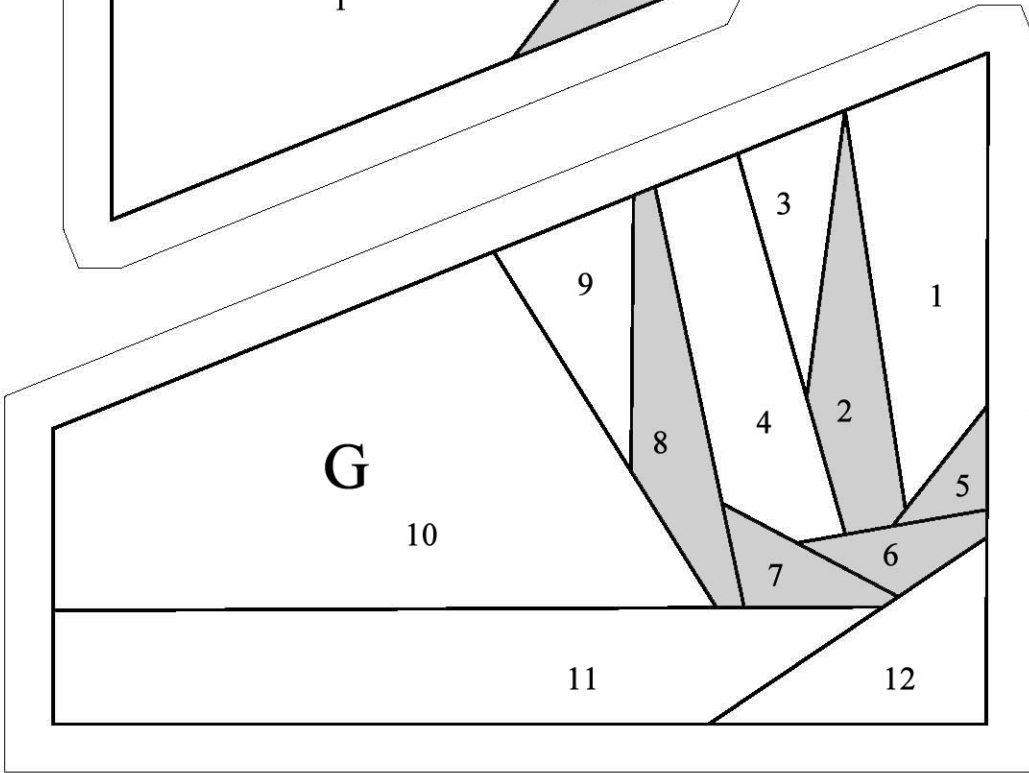
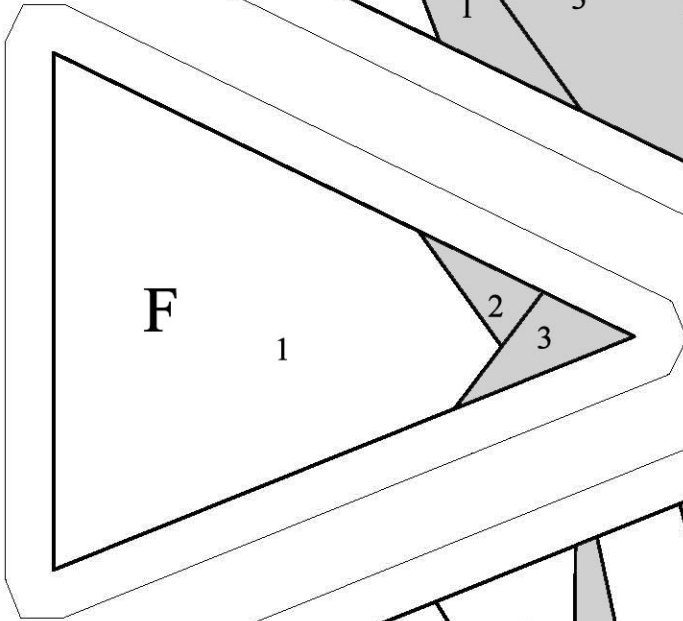
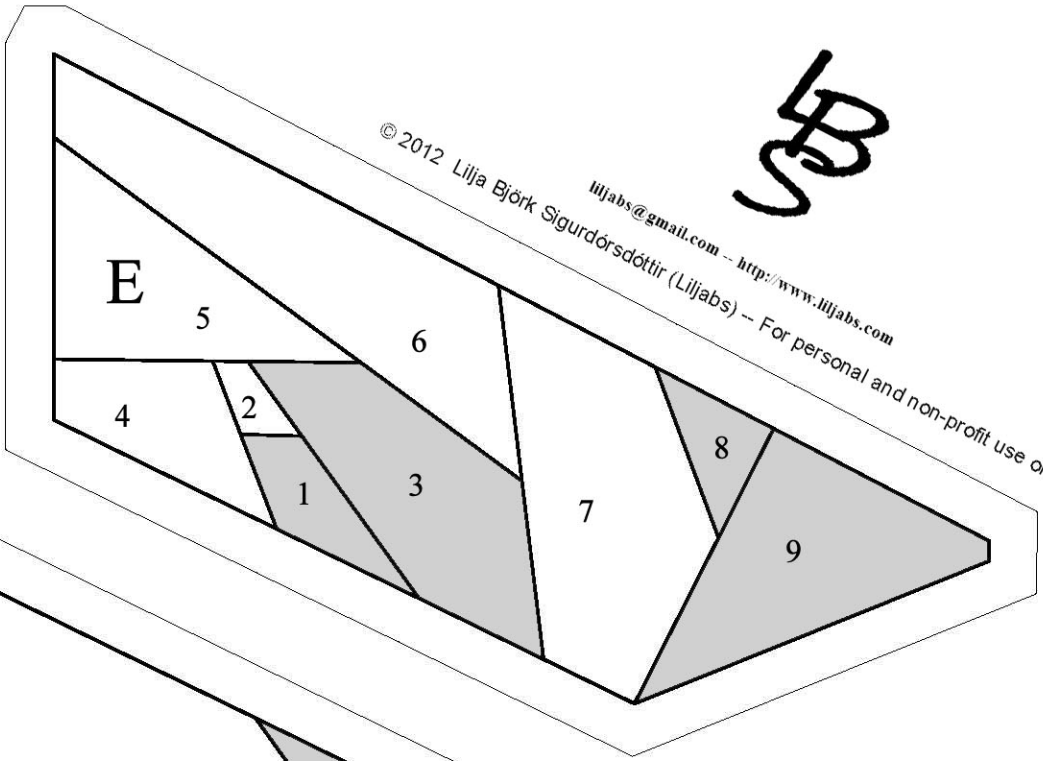
LB
S



LB
S

LB

© 2012 Lilja Björk Sigurdórsdóttir (Liljabs) -- <http://www.liljabs.com>
liljabs@gmail.com -- For personal and non-profit use only



LB

liljabs@gmail.com - <http://www.liljabs.com>
© 2012 Lilja Björk Sigurdórsdóttir (Liljabs) - For personal and non-profit use only

