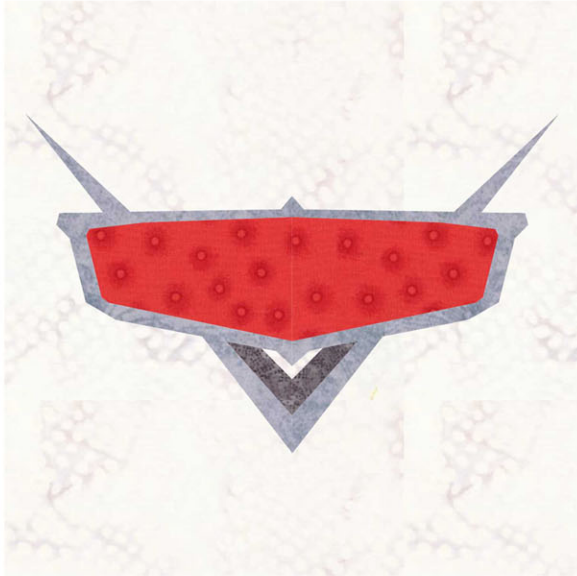


Cars

10" pattern



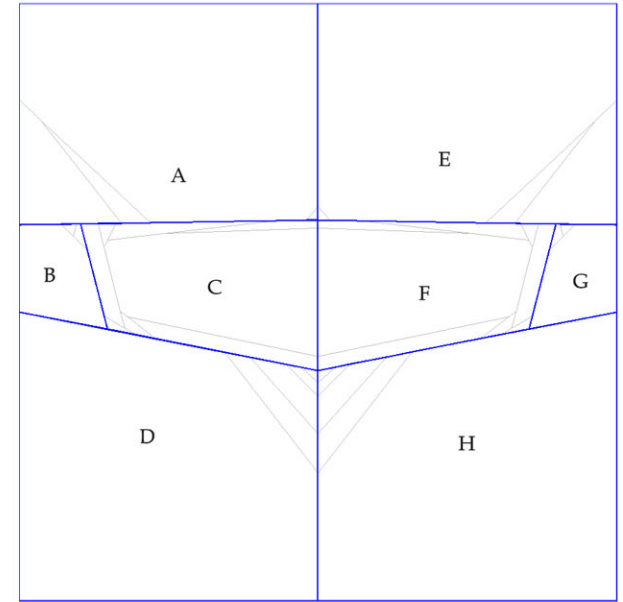
Fabric side of pattern

Sewing order

B-C
A-BC-D

F-G
E-FG-H

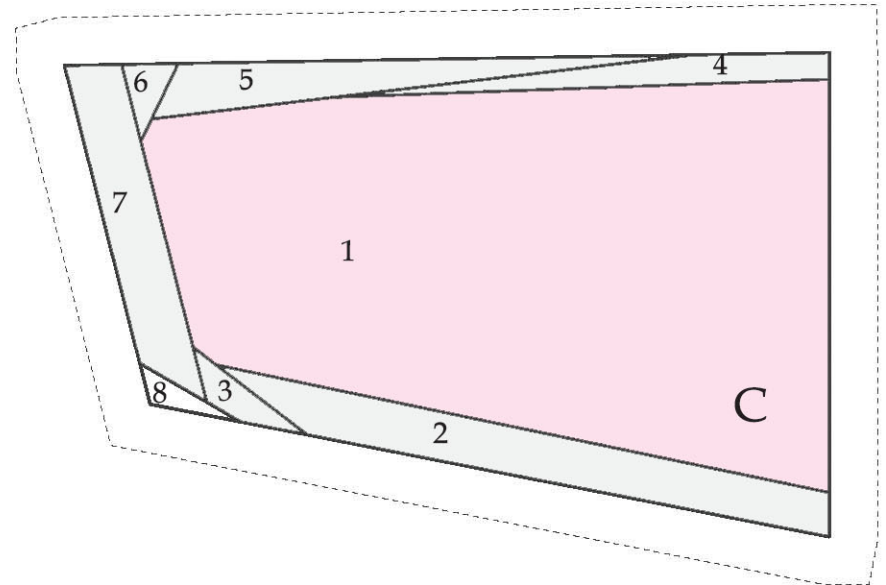
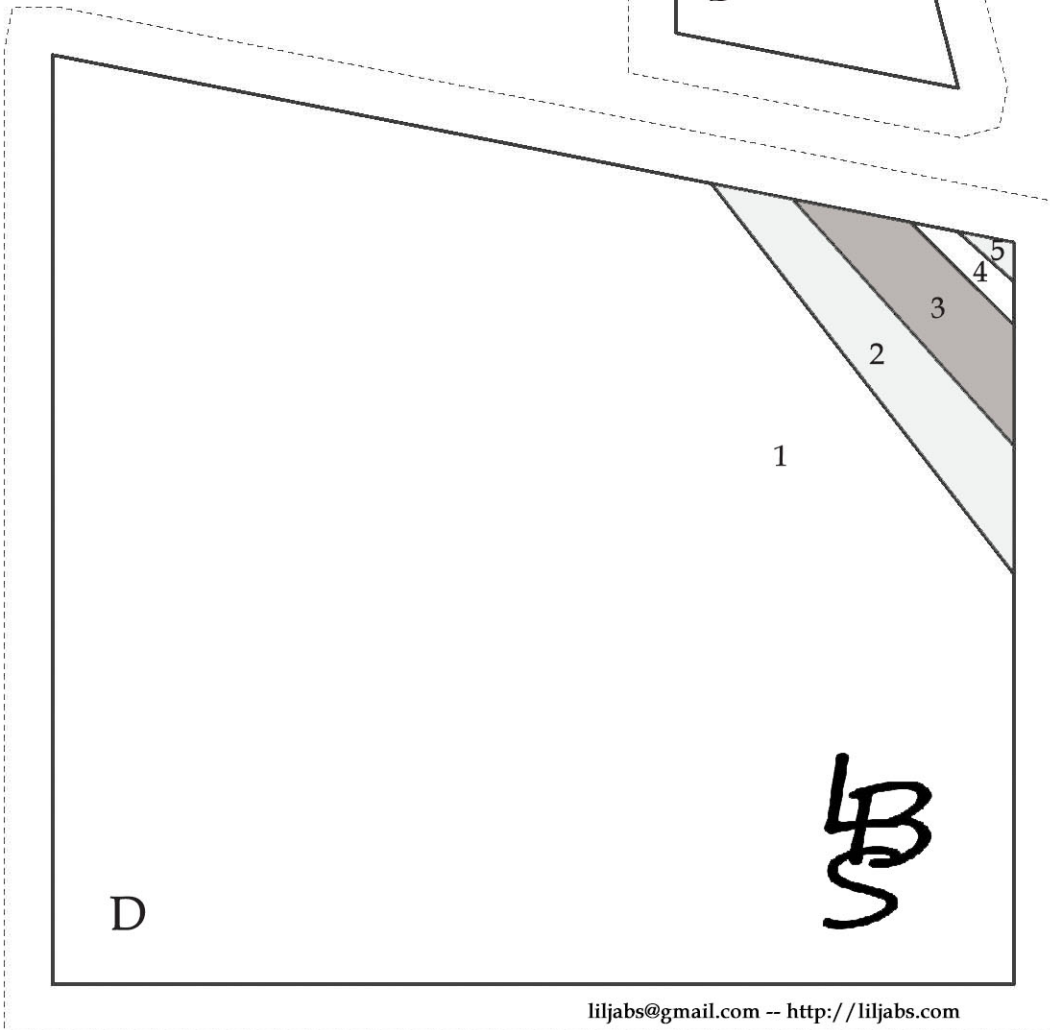
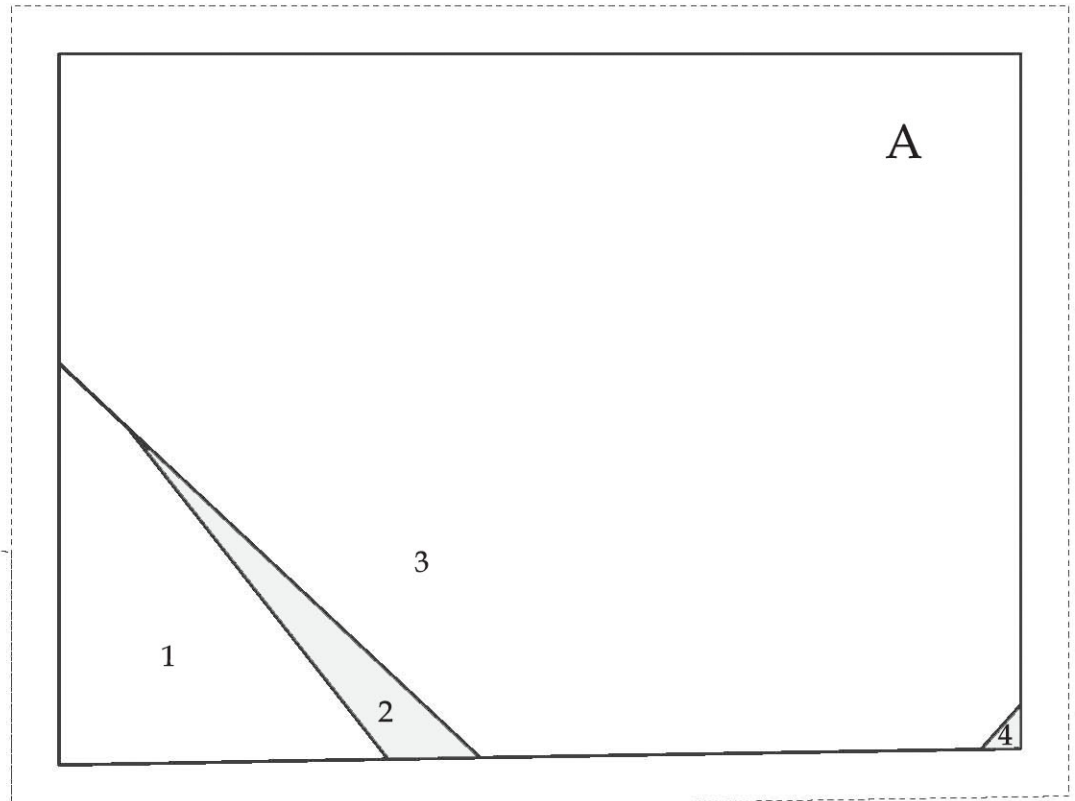
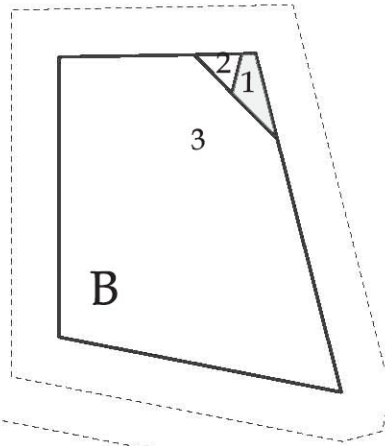
ABCD-EFGH

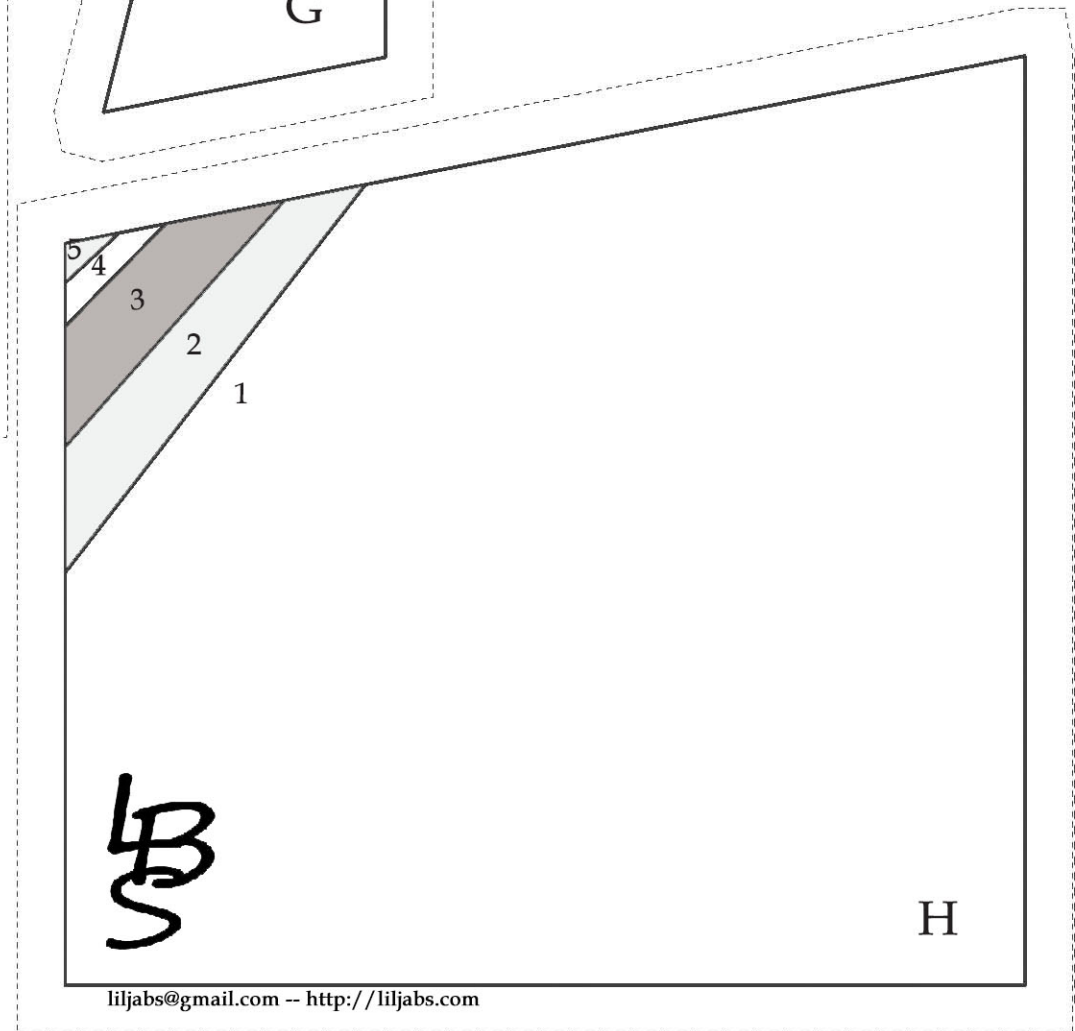
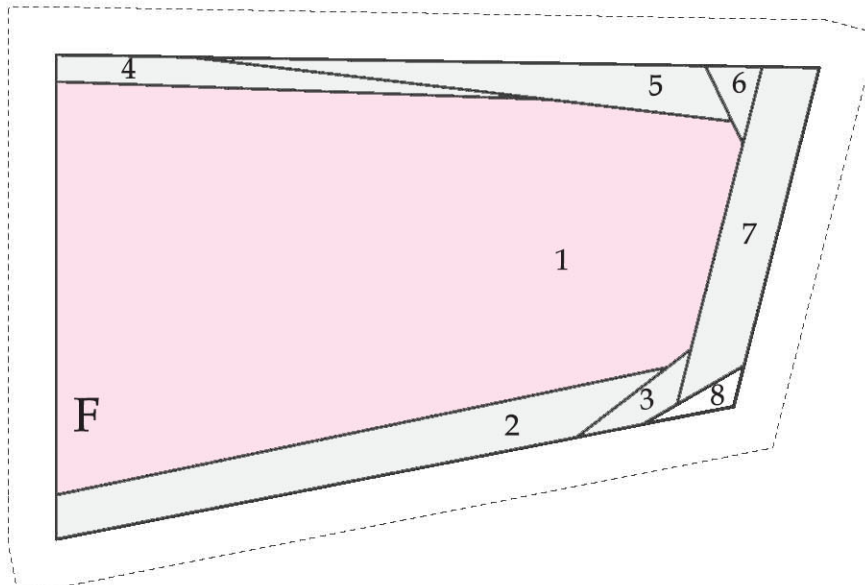
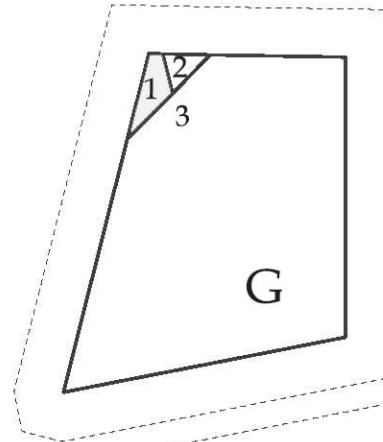
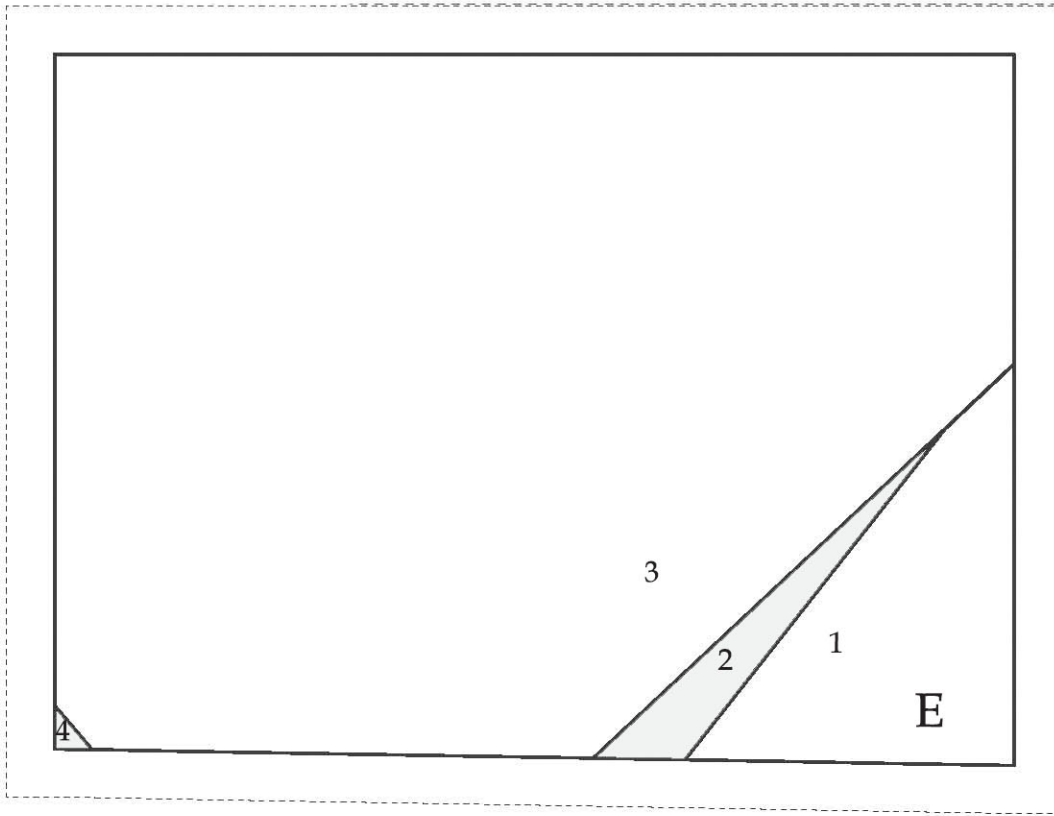


Paper side of pattern

liljabs@gmail.com -- <http://liljabs.com>

© 2014 Lilja Björk Sigurdórsdóttir (Liljabs)
For personal and non-profit use only --Not for Reproduction or resale





liljabs@gmail.com -- <http://liljabs.com>